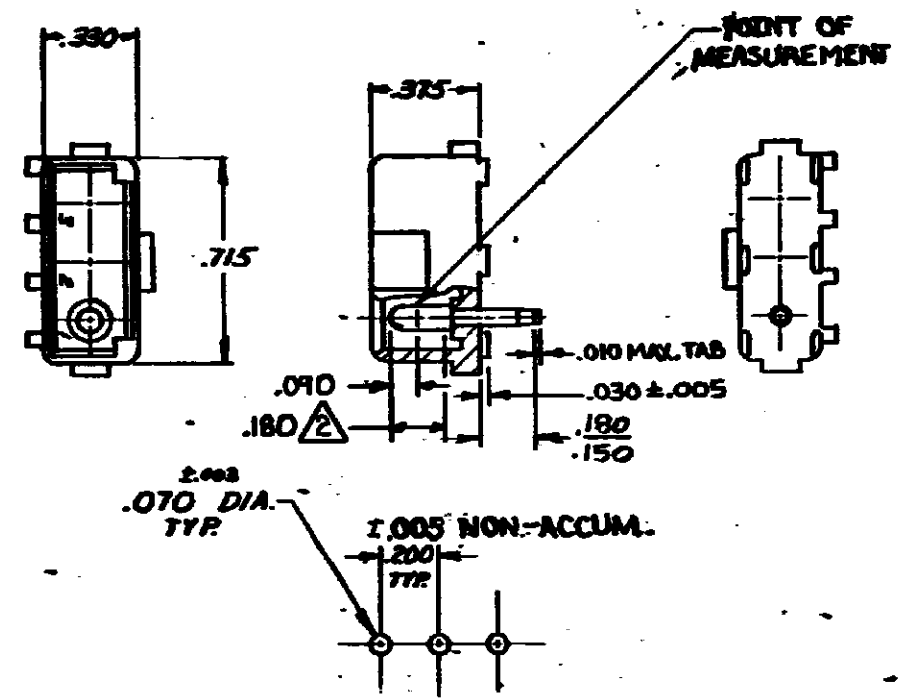


WAS P-79-G102



RECOMMENDED LAYOUT FOR  
.062 THICK P.C. BOARD

1. PARTS COMPLY WITH AMP SOLDERABILITY SPEC. 109-11-3  
 2. CONTACT IS PLATED OVERALL WITH .000050 NIKKEL, THEN .000030 GOLD OVER CONTACT LENGTH INDICATED AND MATTE TIN ON SOLDER TAIL END.

5-350541-2	NYLON - GREEN	COPPER ALLOY - GOLD 2
350541-2	NYLON - NATURAL	COPPER ALLOY GOLD 2
350541-1	NYLON - NATURAL	COPPER ALLOY - PRE-TIN
ASSEMBLY NO	HSG. MATL & COLOR	PIN MATL & FINISH

M	RESTORED	RS	7/76
K	REV. PER M-7375	DP	7/76
J	REV. WAS REF. M-7285	DH	7/76
H	ADDED NOTE 2 M-6197	DF	7/76
G	ISSUED CLAMP FOR M-5134	DH	7/76
F	REV. TAIL LENGTH M-5334	DF	7/76
E	REVISED M-3932	DF	7/76
D	ECN M-3877	DM	7/76
C	RELEASED	DW	7/76
B	ECN M-3462	GV	7/76
A	ECN M-3152	EC	7/76

OBsolete 1-4-21	4-21
3-1,4,5,6,7,1	RS
8-1,9-1,2,2,3,7	86
4,3,6,2,7,2,8,2,9,2,4,3	

REQUIRED PER ASSEMBLY
DESCRIPTION

© 1973 BY AMP INCORPORATED. ALL RIGHTS RESERVED.  
 AMP PRODUCTS COVERED BY PATENTS AND/OR PATENTS PENDING.

DR 3-20-73  
 G. Eckman

CHK 4/1/73  
 D. H. H. H. H. H.

DE 4-10-73  
 J. H. H. H. H. H.

MP 4-10-73  
 J. H. H. H. H. H.

MATERIAL AND FINISH: SEE TABLE

WIRE RANGE - INSULATION: H

TOLERANCE EXCEPT AS NOTED: ± .015

SCALE: H

TYPE: POSITIVE LOCK

CLASS: .084 DIA. PIN

NO: 350541

NAME: 3 CIRCUIT MATE-N-LOK P.C. BOARD HEADER